

Round Damper • 7½" Deep • Single Thickness Blade • Volume Control • For Low Leakage • Galvanized Steel

For use to 6 in. w.g. and 3000 FPM

Standard Construction and Materials

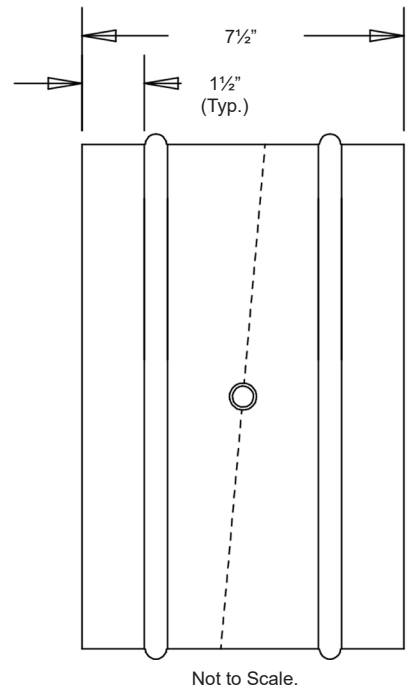
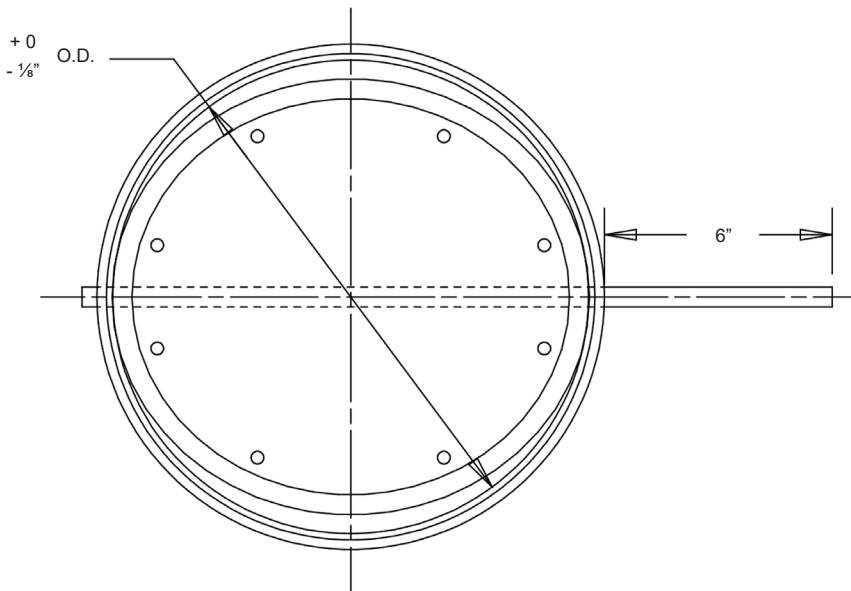
- FRAME:** 22 GA. galvanized steel, 7½" deep with reinforcing ribs.
- BLADE:** 20 GA. galvanized steel, double thickness.
- SHAFT:** ½" dia. plated steel stub, mono-bolted to blade. Extends 6" beyond frame.
- BEARINGS:** Bronze oilite flanged sleeve, press fit to frame.
- STOPS:** Formed galvanized steel angle mechanically fastened to the frame to prevent over rotation of the blade.
- SEALS:** ¼" thk. Neoprene rubber, riveted to the blade with a 20 GA. galvanized steel retaining plate.
- TEMP LIMIT:** 250°F.
- FINISH:** Mill.

Notes

1. ¼" nominal deduction will be made to the opening size given.
2. Round dampers are available in 1" increments only.
3. This damper is designed for low leakage applications.
4. The rolled ribs in the frame provide greater reinforcement, ease of installation, and a sealing joint.
5. To calculate approximate shipping weight (lbs./in.), use the following formula:
 Diameter (in.) × 0.47 (lbs./in.)

Damper Sizes

Min Dia.	Max Dia.
4" O.D.	24" O.D.



Item #	Qty	Damper Size O.D.	Tagging	Remarks			
Arch. / Eng.:			EDR:	ECN:		Job:	
Contractor:							
Project:			Date:	DWN:		DWG:	

In the interest of product development, Cesco Products reserves the right to make changes without notice.

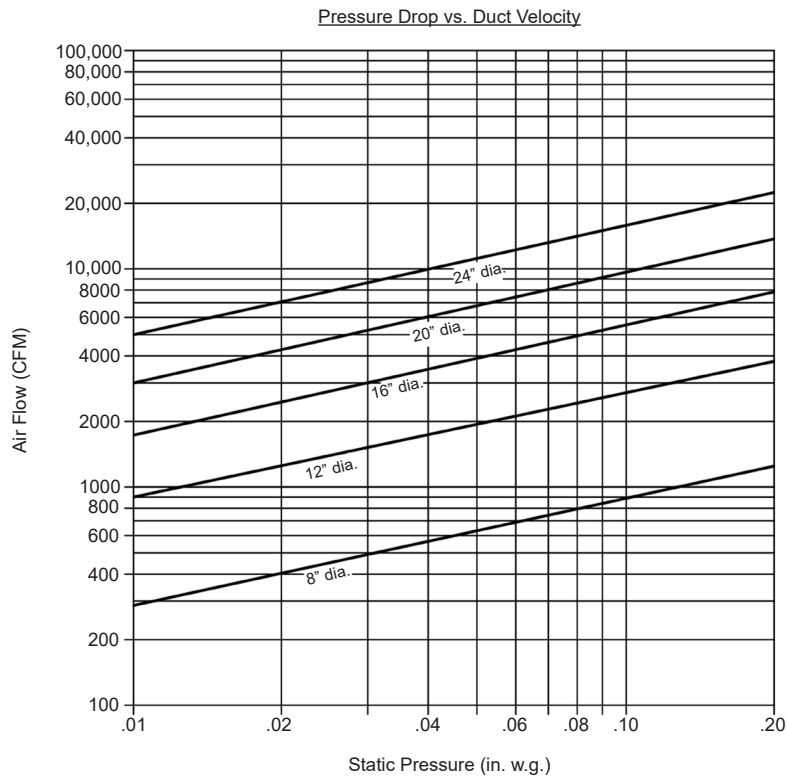


450 Riverside Dr • Wyalusing PA, 18853
 Phone: 570-746-1888 • Fax: 570-746-9286
 www.cescoproducts.com

Round Damper • 7½" Deep • Single Thickness Blade • Volume Control • For Low Leakage • Galvanized Steel

Performance Data

Pressure drop ratings are based on AMCA Standard 500 using test set-up figure 5.3 for a damper installed with duct upstream and downstream. Static pressures are corrected to .075 lb./cu.ft. air density.



Air Leakage ratings are based on AMCA Standard 500 using test set-up figure 5.4. Air Leakage is corrected to .075 lb./cu.ft. air density.

